



SKY PRODUCTS

ROOF EQUIPMENT SOLUTIONS

 *Named the best **S-5!** distributor in Canada* 

Case Study

CASE STUDY

At-A-Glance

Project:

Martin St-Louis & Yvon Chartrand
Hockey Arenas

Customer:

Municipality of Laval, Québec

Location:

Laval, Québec, Canada

Supplier:

Sky Products, Ltd., Ajax, Ontario

Engineer:

EXP

Contractor:

Couverture Montréal Nord

Industry:

Sports

Situation:

The original snow guard design for the two Québec hockey arenas was a pad style snow guard, requiring 3,526 pad style snow guards for a total of 7,000+ screw holes, which would have penetrated through the two brand new metal roofs, compromised the integrity of the roofs and violated manufacturers' roof warranties.

Results:

S-5! ColorGard was custom designed and engineered for this particular project. It met and exceeded the required design loads, did not compromise the roof integrity and eliminated the risk of voided roof warranties.

ColorGard dramatically reduced the risk of rooftop avalanches and potential accidents at the arenas' main entrances.

Stats:

- Used S-5! ColorGard
- Both roofs measured 60' x 213'
- Roof pitch for both arenas 4/12
- Total supplied for both roofs
 - o S-5-S clamps (640)
 - o VersaClip™ (640)
 - o SnoClip™ II (318)
 - o Custom ColorGard lengths @ 56" (410)
 - o Custom ColorGard lengths @ 72" (14)
 - o ColorStrip™



Canadians Love Their Hockey!

Hockey's place in Canadian culture is closer to religion than a simple sporting pastime; it's a part of the national identity—a rite of passage between fathers and sons and more recently mothers and daughters.

In Québec, sports enthusiasts flock to the Martin St-Louis and Yvon Chartrand hockey arenas to practice and play whenever the opportunity arises. However, when owners planned for their arenas' new standing seam metal roofs, they hadn't considered the average 20 inches of snowfall during the winter months.

So, after the new roofs were installed, they brought in Sky Products, Ltd.,—a Canadian roof equipment solutions provider and S-5! distributor—to devise a solution to prevent snow from falling off the roofs at the main entrances.

What Worked?

The roofs of the Martin St-Louis and Yvon Chartrand hockey arenas each measured 60 feet by 213 feet. The original architectural and engineering design plan involved using a competitor's product, which would have required creating more than 7,000 screw holes in the two brand new Vicwest Tradition 100 standing seam roofs.

Sky Products introduced the arena owners to S-5!'s non-penetrating solution and worked alongside the EXP engineer to ensure the older buildings load capacities were considered in the design of the snow guards.

Together, they devised a custom solution to distribute the snow loads across the roof. The installation team conducted a site visit to determine the best strategy, and Sky Products provided stamped engineered drawings in line with the area's building codes, engineering requirements and the area's average snow load capacities of 60 pounds per square foot.

They determined the roofs would require custom-cut lengths of ColorGard to include 410 cut at 56 inches long and another 14 cut at 72 inches long.

Long-Term Outlook

The Martin St-Louis and Yvon Chartrand hockey arenas have maintained the integrity of their roofs and roof warranties by eliminating the need for 7,000 screw holes in their brand new roofs since discovering S-5! ColorGard.

The owners have reduced the risk of sudden and unexpected release of snow, potentially posing a serious threat to property and patrons.

ColorGard will not damage the roof or finish and will maintain the clean colorful appearance of the roof with perfect color and finish matching— for the entire life of the roof.

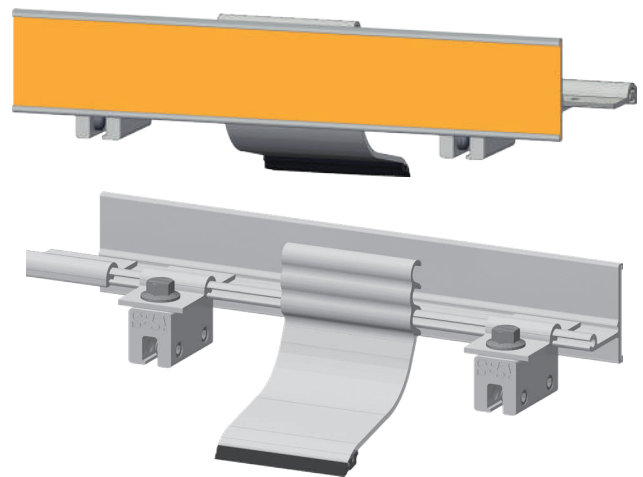


“The installation process alone cut the costs of labor in half because the customer did not have to install 7,000+ screws as previously planned; however, the big take away is by using S-5!ColorGard®, they have future-proofed their new roofs and avoided the headache of roof leaks for years to come.”

— Dave Kowch, Business Development Manager, Sky Products, Ltd

How Did S-5! Products Help?

- Eliminated the need to penetrate 7,000 screw holes in two brand new roofs
- Eliminated the risk of a voided roof manufacturer warranty—no holes/no damage
- Reduced the amount of product required
- Custom-fabricated the solution the architect wanted



ColorGard® by S-5!

SKY PRODUCTS

ROOF EQUIPMENT SOLUTIONS



*Named the best **S-5!** distributor in Canada*

